

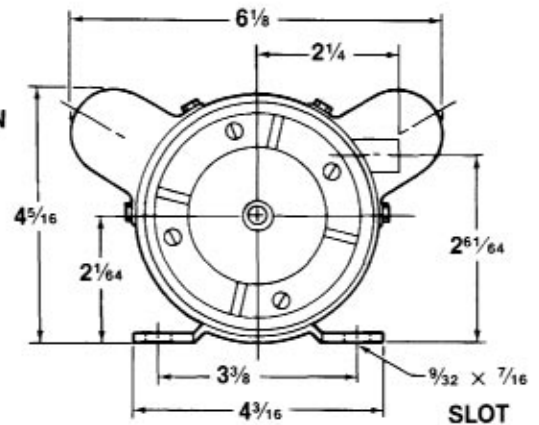
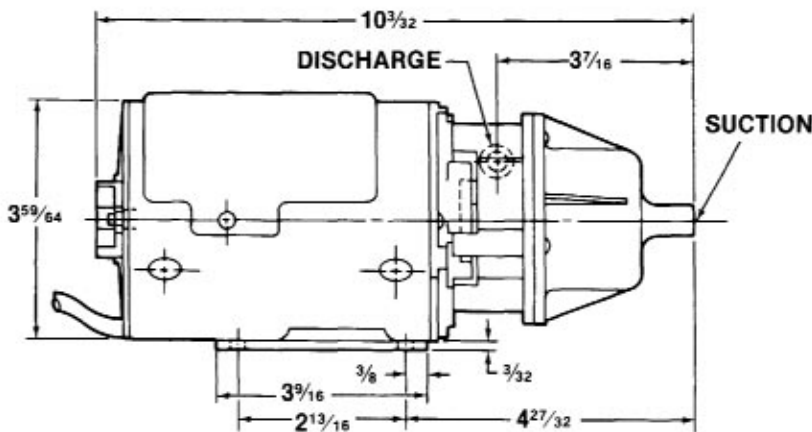


Always the Right Solution™

Section:
MOYNO® 500 PUMPS
 Page: 1 of 2
 Date: March 30, 1996

SPECIFICATION DATA
MOYNO® 500 PUMPS
200 SERIES MOTORIZED
 203, 204, 205 and 220 MODELS

DIMENSIONS



PORT SIZES

MODELS	SUCTION	DISCHARGE
20551, 22051*	5/8	5/8
20352, 20452, 20552, 22052**	3/8	1/4

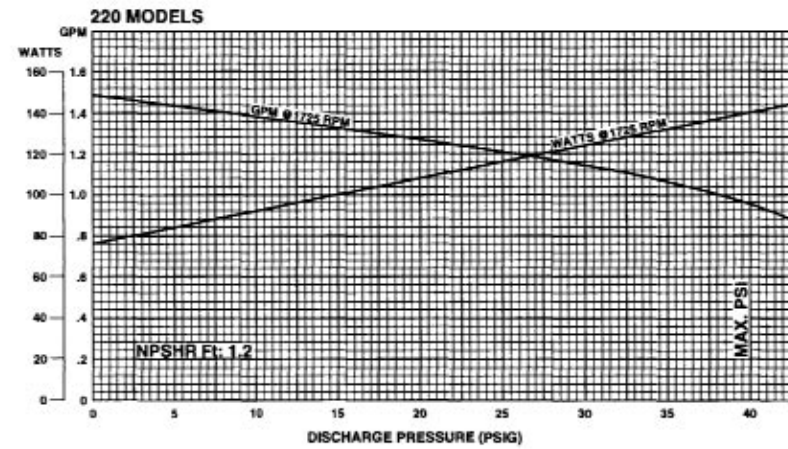
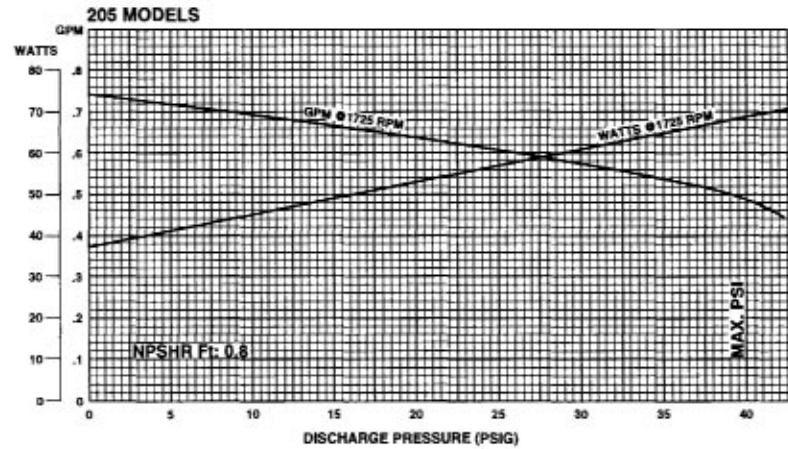
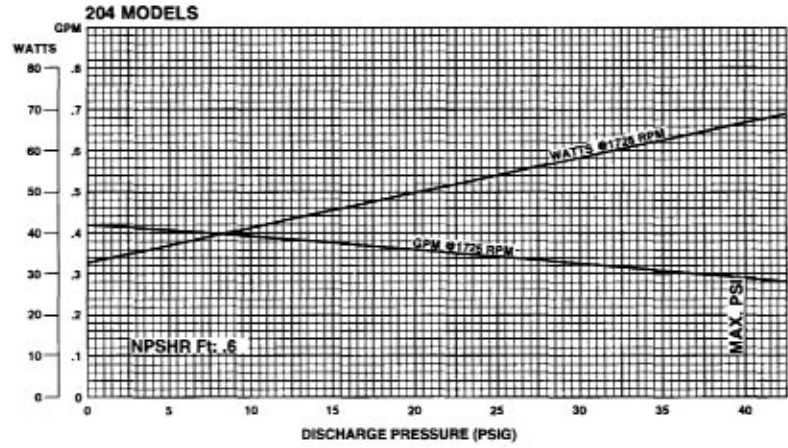
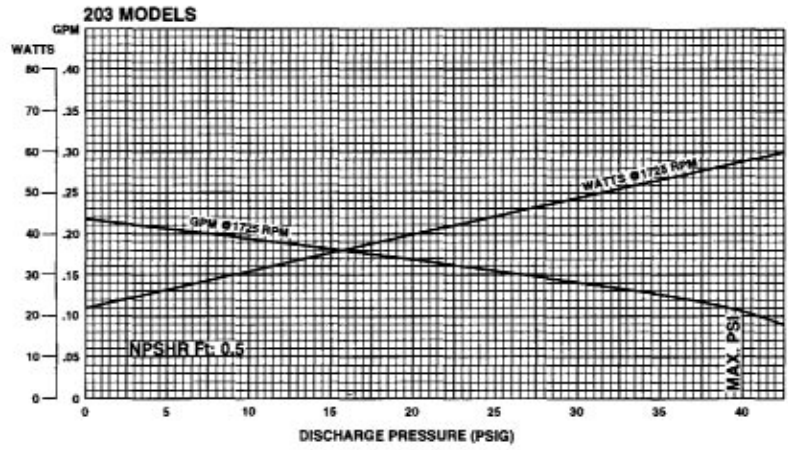
All dimensions are in inches.
 Specifications subject to change
 without notice.

*Phenolic construction—clamped hose connections
 **Stainless steel construction—threaded connections (NPT)

MATERIALS OF CONSTRUCTION

COMPONENT	MODELS	
	20551, 22051*	20352, 20452 20552, 22052**
Housing	Phenolic	316 SS
Rotor	Phenolic	316 SS
Stator	NBR (Nitrile)	NBR (Nitrile)
Motor Data	1/8 HP, 1 PH, 115 VAC, 50/60 HZ, 1725 RPM	
Weight (lbs)	10	13

PERFORMANCE (Water at 70° F)



NOTE: With the standard 1/8 HP motor, maximum fluid viscosity is 100 CP (500 SSU).